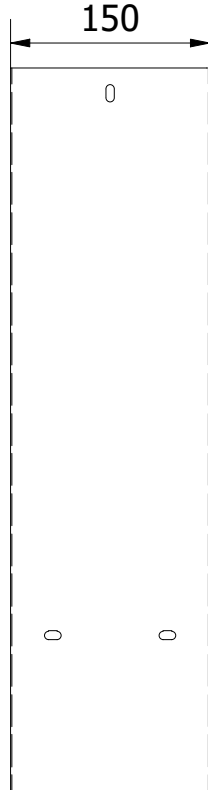
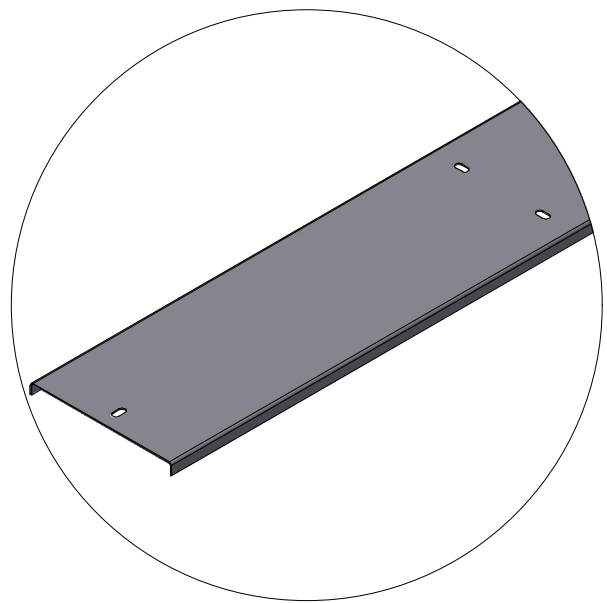


3000



150

0



Designed:	Checked:	Approved:	Material: <Material>	Date 14/03/2023
-----------	----------	-----------	-------------------------	--------------------



COVER STRAIGHT ELEMENT	
CRRET150020L3MT	Revision Sheet 1 / 1