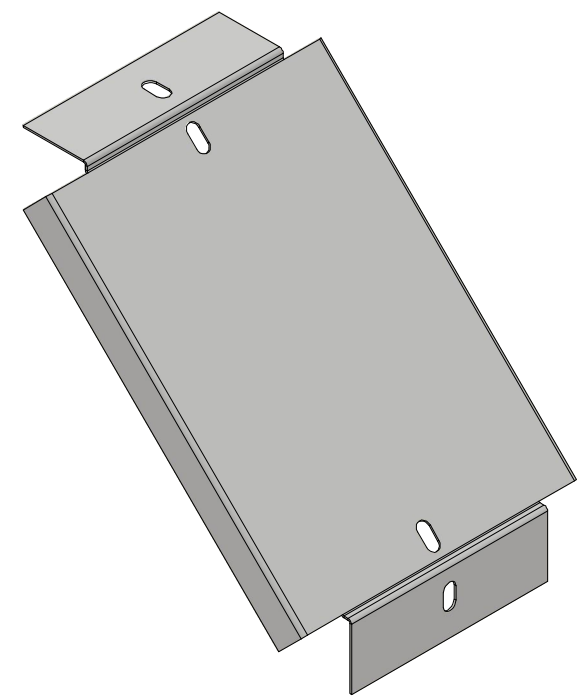



R.150

150



Designed:	Checked:	Approved:	Material: <Material>	Date 13/03/2023
			COVER OUTSIDE 45°	
			CAS45150020R150	Revision Sheet 1 / 1