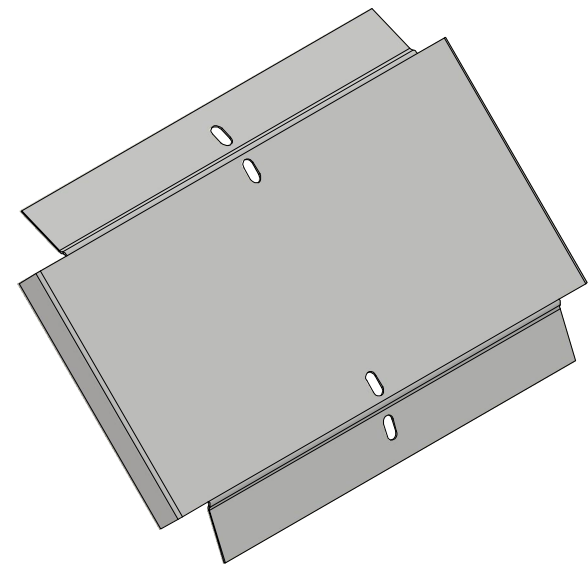



R.150

300



Designed:	Checked:	Approved:	Material: <Material>	Date 13/03/2023
			COVER OUTSIDE 45°	
			CAD45300020R150	Revision